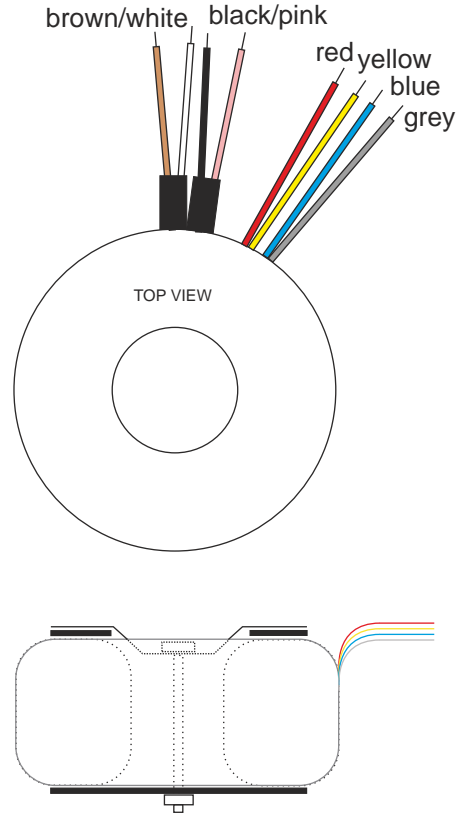
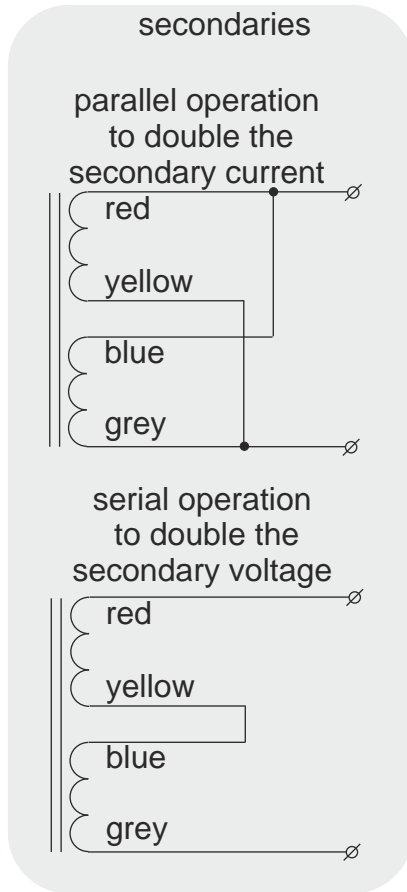
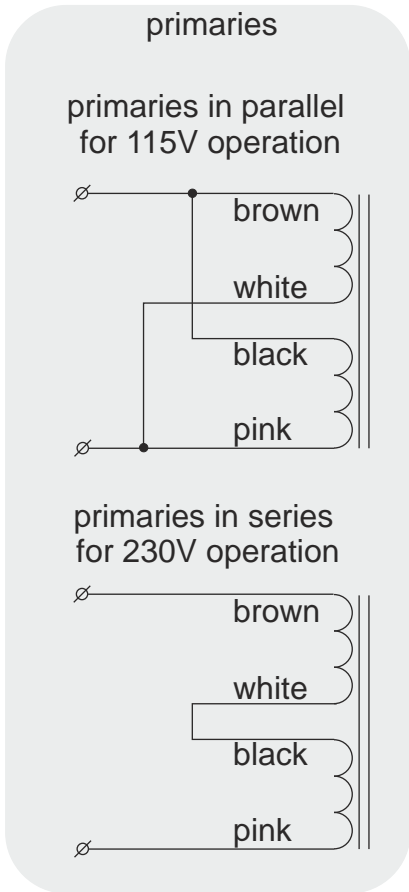
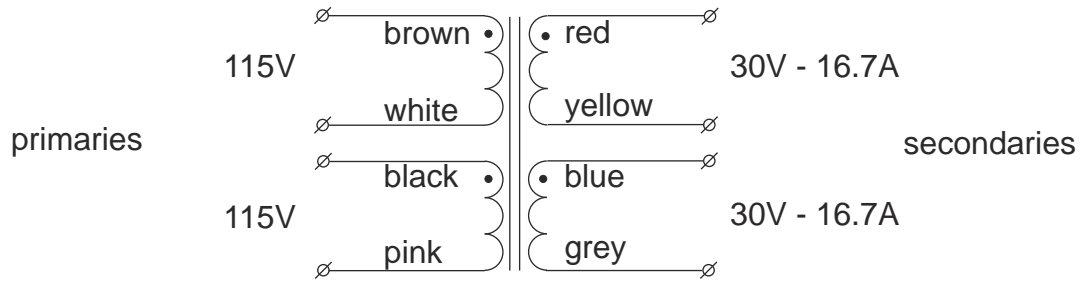


Toroidal transformer type Z7017



Diameter 160mm
 Height 72mm
 Weight 7.5kg
 Height and weight are measured without mounting materials
 All leads are solid and approx 200mm long

Supplied mounting materials:
 1 metal washer Ø110mm
 2 neoprene washers Ø110mm
 1 bolt M8x90mm with nut

With KEMA KEUR, ENEC, CE and UL/CSA approvals
 KEMA certificate 96 2307, UL filenumber E320377.

Time lag fuses to be used.
 For 230V use: primary: 5A, 5x20mm, IEC127, high I²t value in series with two NTC-resistors type NTC5
 secondary: none
 For 115V use: primary: 10A, 5x20mm, IEC127, high I²t value in series with 2 NTC-resistors type NTC2.5
 secondary: none

| Type number | primary | secondaries voltage | current |
|-------------|---------|---------------------|---------|
| Z7015 | 2x115V | 2x 30V | 16.7A |

All voltages are under full ohmic load.
 Regulation : 3.5%

| | | | |
|------|-------------|-------------|----|
| 1kVA | 115V / 230V | 50Hz / 60Hz | |
| | KEMA KEUR | RoHS | |
| | CCA | CB | CE |

| | | | |
|--|--|----------------|--|
| | Industrieweg 14 NL-7161BX NEEDE The Netherlands P O - B o x 27 NL-7160AA NEEDE The Netherlands Tel. +31 (0)545 283456 Fax +31 (0)545 283457 info@amplimo.nl http://www.amplimo.nl | HB Dec 2013 | <h1 style="margin: 0;">Z7017</h1> <p style="margin: 0;">toroidal transformer 1000VA for 115V or 230V operation</p> |
| | © Copyright Amplimo BV | | |