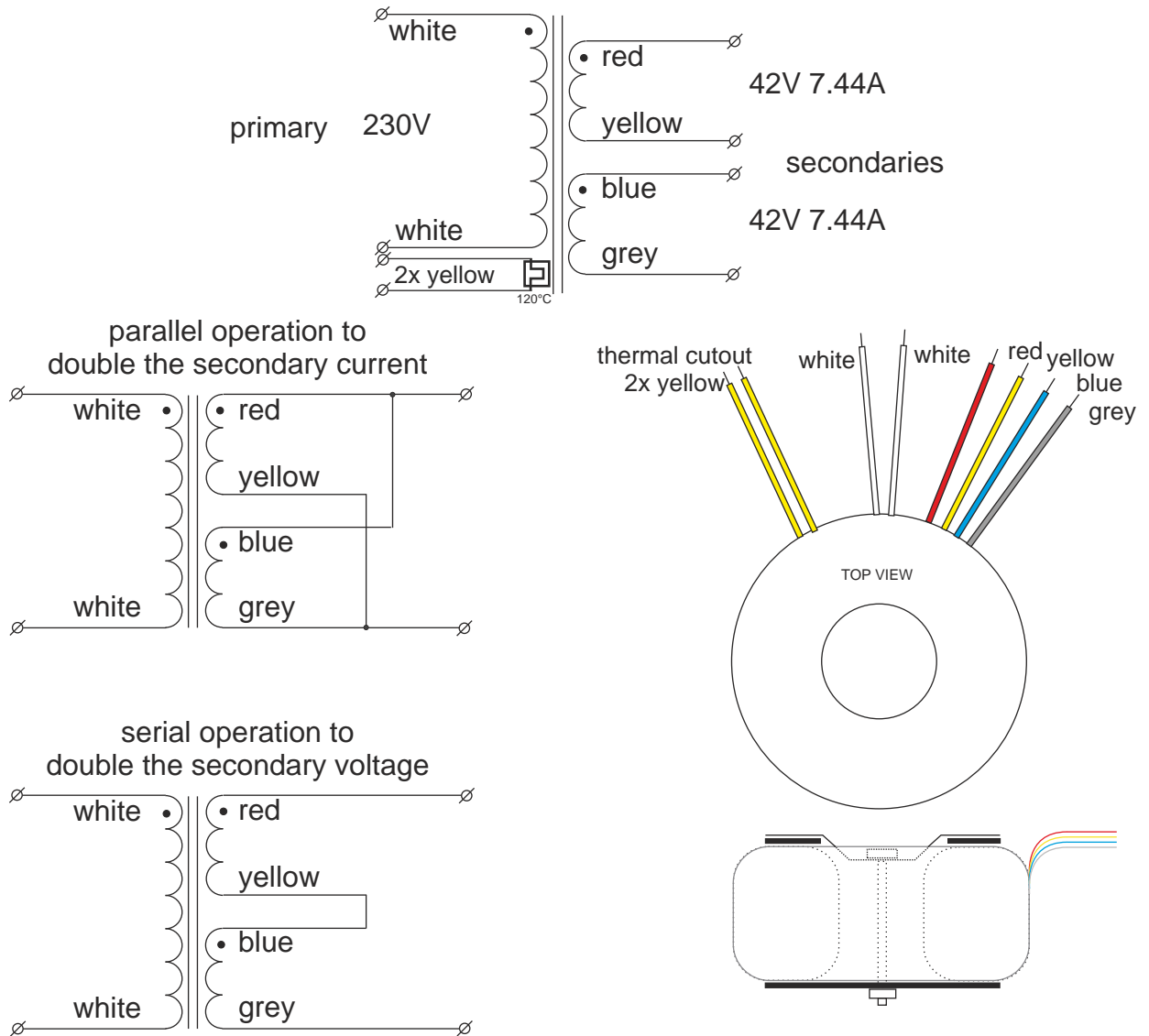


Toroidal transformer type 98622T



Diameter 146mm
 Height 68mm
 Weight 5.2kg
 Height and weight are measured without mounting materials
 All leads are approx 200mm long
 Builtin selfresetting thermal cutout 120°C

Supplied mounting materials:
 1 metal washer
 2 neoprene washers
 1 bolt with nut

According to EN61558. With CE and UL/CSA approvals
 UL filenumber E311200
 RoHS-compliant

Type number	primary	secondaries voltage	current
98622T	230V	2x 42V	7.44A

All voltages are under full ohmic load.
Regulation : 4.5%

	P/N AMP-0625042X	 
	TYPE 98622T	
	BATCH 00000	 
	MADE IN CHINA	
PRI. 230VAC WHITE - WHITE		
SEC. 2x 42VAC 7.44A RED-YELLOW / BLUE-GREY		

	Industrieweg 14 NL-7161BX NEEDE The Netherlands P O - B o x 2 7 NL-7160AA NEEDE The Netherlands Tel.+31 (0)545 283456 Fax+31 (0)545 283457 info@amplimo.nl http://www.amplimo.nl	HB	Nov-2009	98622T P/N: AMP-0625042X toroidal transformer 625VA
		© Copyright Amplimo BV		