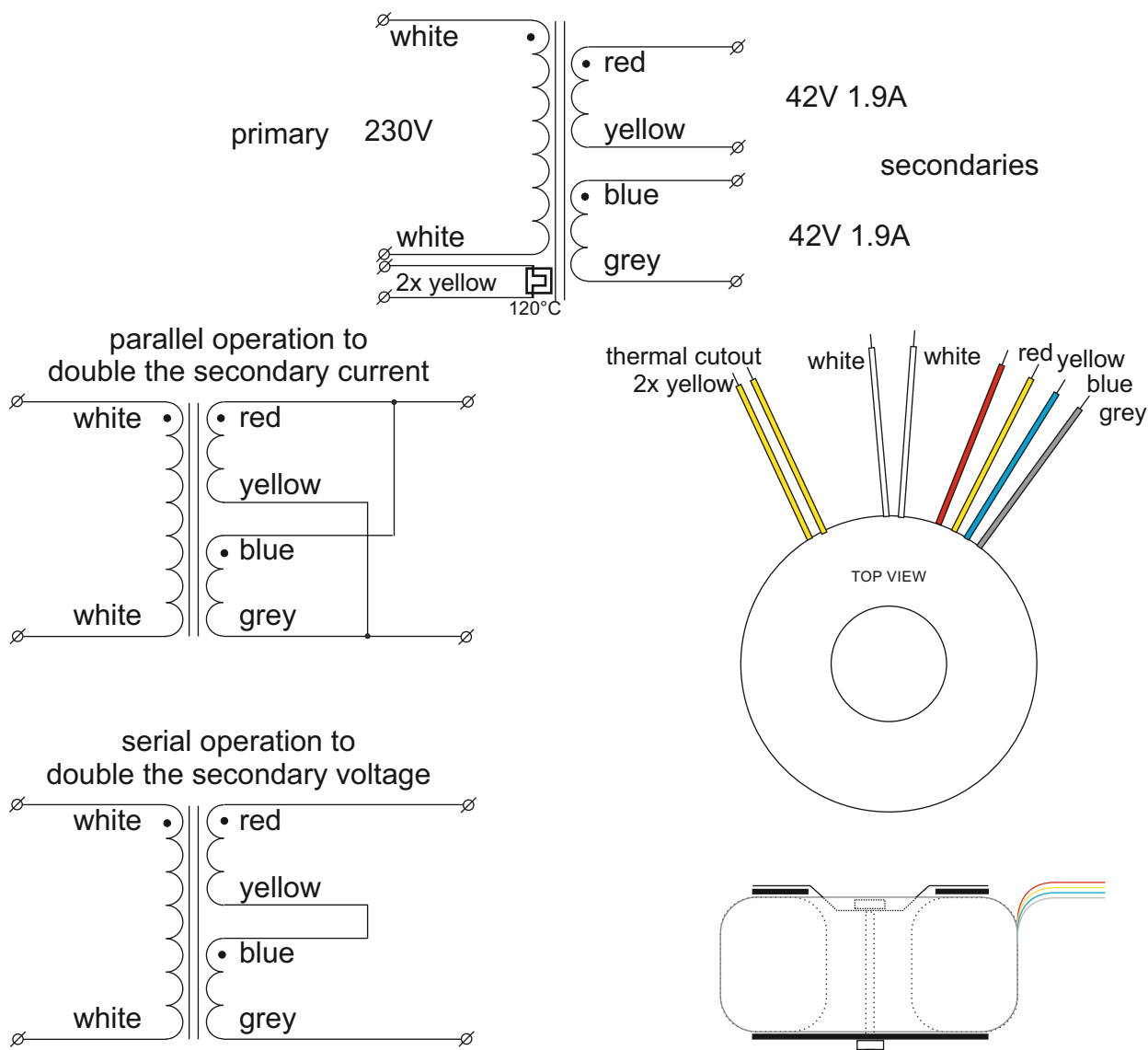


Toroidal transformer type 58622T



Diameter 103mm
 Height 45mm
 Weight 1.75kg
 Height and weight are measured without mounting materials
 All leads are approx 200mm long
 Built-in self-resetting thermal cutout 120°C

Supplied mounting materials:
 1 metal washer
 2 neoprene washers
 1 bolt with nut

According to EN61558. With CE and UL/CSA approvals
 UL filenumber E311200
 RoHS-compliant

Type number	primary	secondaries voltage	current
58622T	230V	2x 42V	1.9A

All voltages are under full ohmic load.
 Regulation : 7%

	P/N AMP-0160042X		
	TYPE 58622T		
	BATCH 00000	50/60Hz	
	MADE IN CHINA	120°C	
PRI. 230VAC WHITE - WHITE SEC. 2x 42VAC 1.9A RED-YELLOW / BLUE-GREY AMPLIMO BV, INDUSTRIEWEG 14, 7161BX, NEEDE, NL, WWW.AMPLIMO.NL			

	Industrieweg 14 NL-7161BX NEEDE The Netherlands P O - B o x 2 7 NL-7160AA NEEDE The Netherlands Tel.+31 (0)545 283456 Fax+31 (0)545 283457 info@amplimo.nl http://www.amplimo.nl	HB	Oct-2017	58622T P/N: AMP-0160042X
	© Copyright Amplimo BV			
	(This row is empty in the original image)			
	(This row is empty in the original image)			