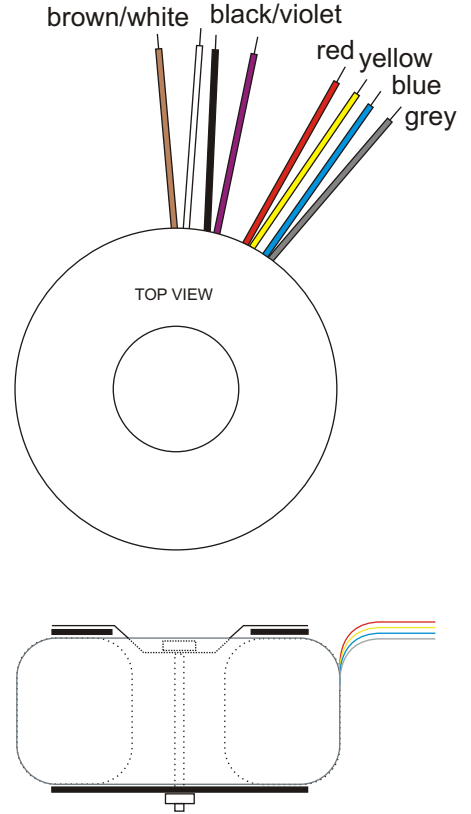
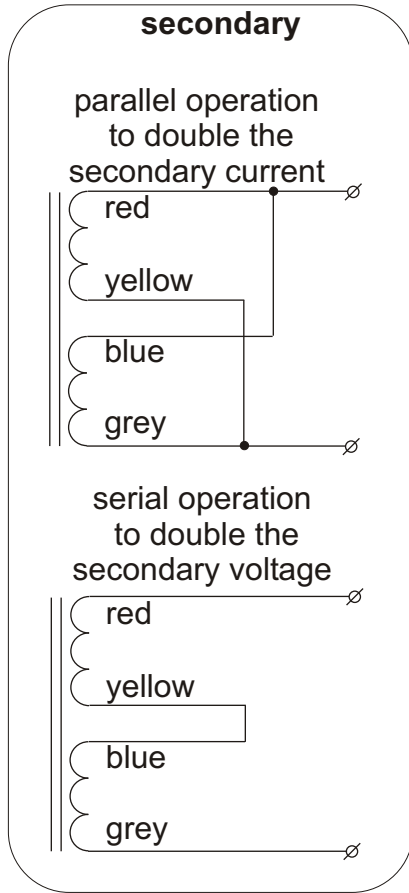
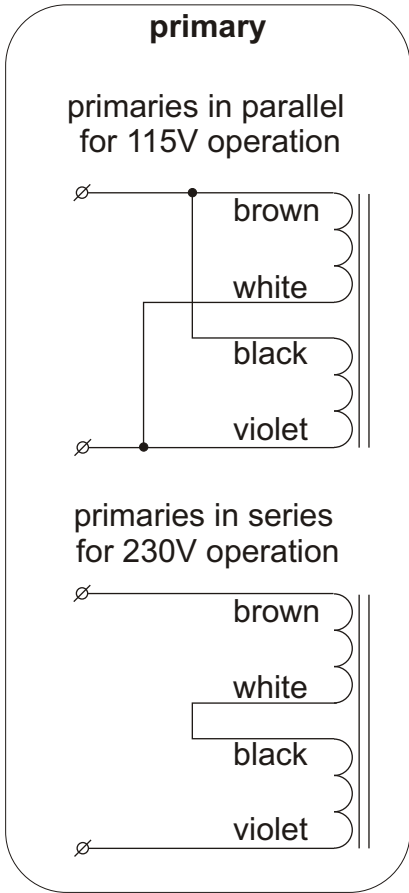
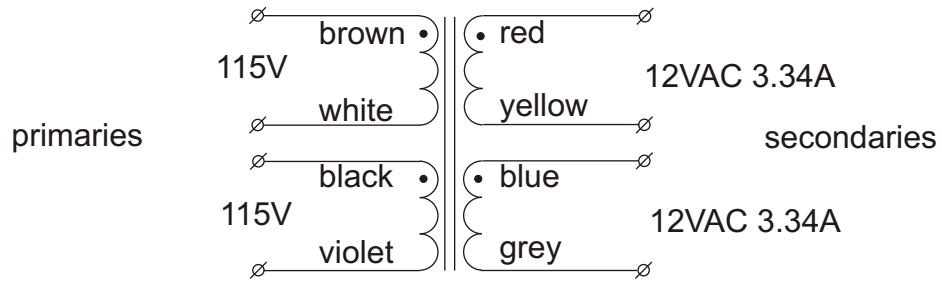


Toroidal transformer type 37612



Diameter approx. 87mm
 Height approx. 37mm
 Weight approx. 0.95kg
 Height and weight are measured without mounting materials
 All leads approx. 200mm long

Supplied mounting materials:
 1 metal washer
 2 neoprene washers
 1 bolt with nut

according to EN61558. With CE and UL/CSA approvals
 UL filenumber E311200.
 RoHS-compliant

Type number	primary	secondaries voltage	current
37612	2x115V	2x 12V	3.34A

All voltages are under full ohmic load
 Regulation : 9.8%

AMPLIMO
 P/N AMP-0080012
 TYPE 37612
 BATCH 00000
 MADE IN CHINA
 CE 50/60Hz
 C-UL US E311200
 PRI. 2x 115VAC BROWN-WHITE / BLACK-VIOLET
 SEC. 2x 12VAC 3.34A RED-YELLOW / BLUE-GREY

	Industrieweg 14 7161BX NEEDE The Netherlands	HB	Feb 2008	37612 P/N: AMP-0080012
	P O - B o x 2 7 NL-7160AA NEEDE The Netherlands Tel.+31 (0)545 283456 Fax+31 (0)545 283457 info@amplimo.nl http://www.amplimo.nl			
			© Copyright Amplimo BV	