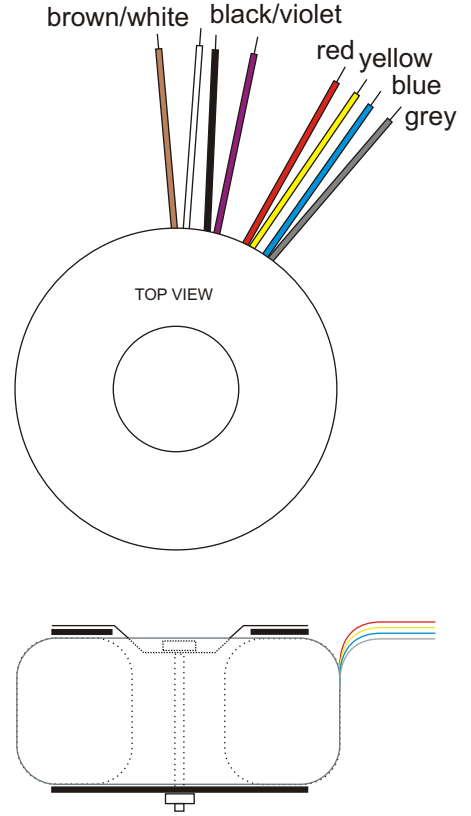
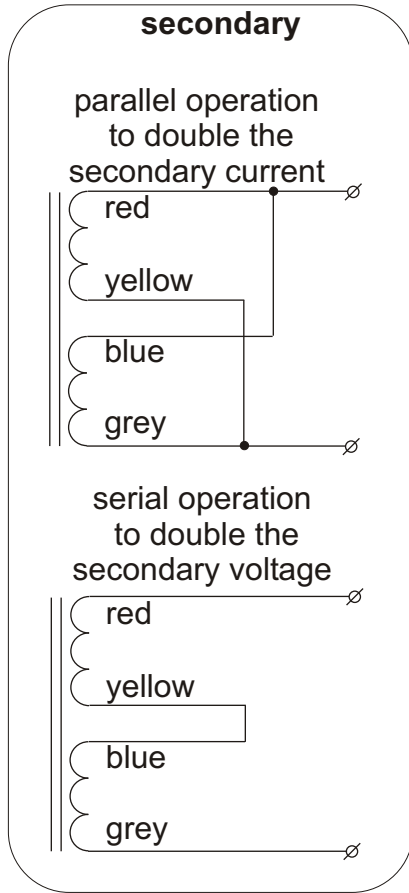
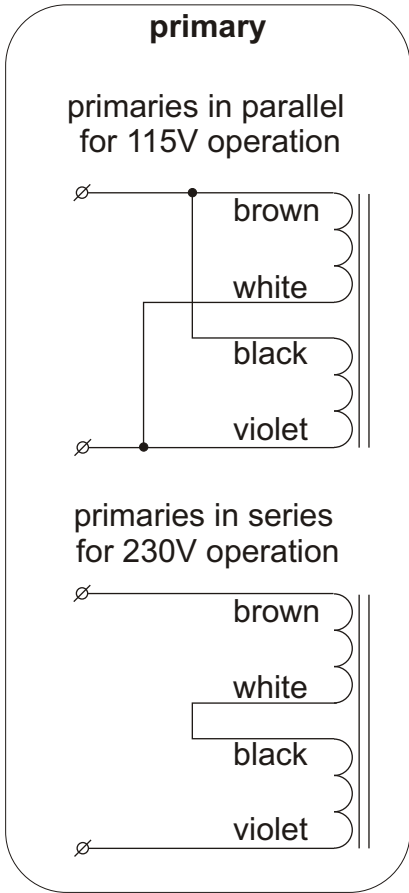
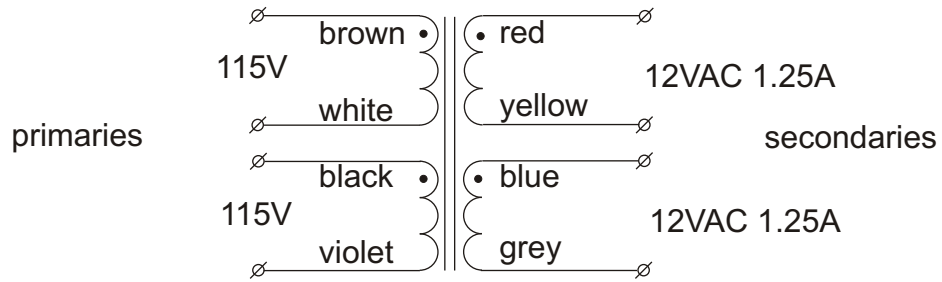


Toroidal transformer type 17612



Diameter approx. 71mm
 Height approx. 32mm
 Weight approx. 0.5kg
 Height and weight are measured without mounting materials
 All leads approx. 200mm long

Supplied mounting materials:
 1 metal washer
 2 neoprene washers
 1 bolt with nut

according to EN61558. With CE and UL/CSA approvals
 UL filenumber E311200.
 RoHS-compliant

| Type number | primary | secondaries voltage | current |
|-------------|---------|---------------------|---------|
| 17612 | 2x115V | 2x 12V | 1.25A |

All voltages are under full ohmic load
 Regulation : 13.7%

P/N AMP-0030012
 TYPE 17612
 BATCH 00000
 MADE IN CHINA

CE 50/60Hz
 C-UL US E311200

PRI. 2x 115VAC BROWN-WHITE / BLACK-VIOLET
 SEC. 2x 12VAC 1.25A RED-YELLOW / BLUE-GREY

| | | | | |
|--|--|----|------------------------|----------------------------------|
| | Industrieweg 14 7161BX NEEDE The Netherlands | HB | Jan 2009 | 17612 P/N: AMP-0030012 |
| | P O - B o x 2 7 NL-7160AA NEEDE The Netherlands Tel.+31 (0)545 283456 Fax+31 (0)545 283457 info@amplimo.nl http://www.amplimo.nl | | | |
| | | | | |
| | | | © Copyright Amplimo BV | |