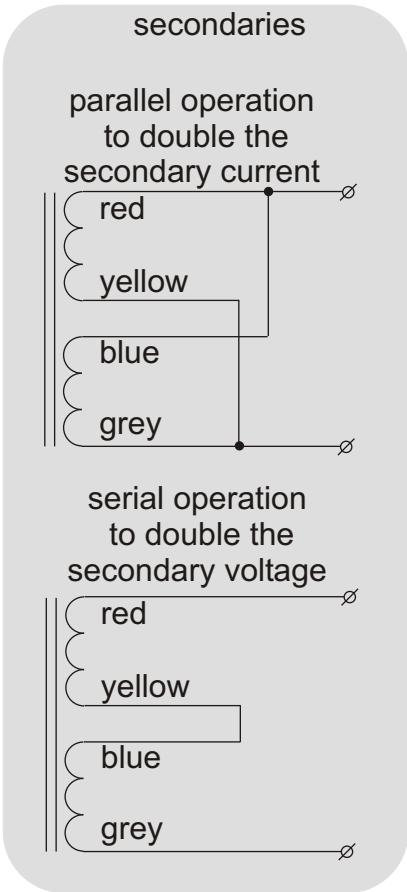
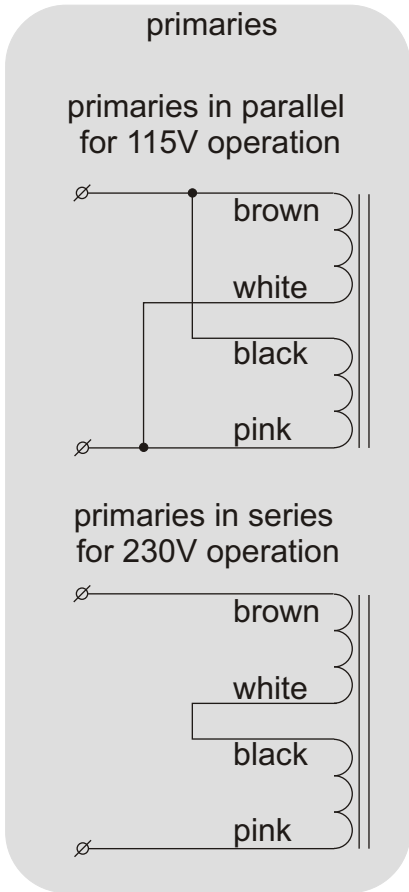
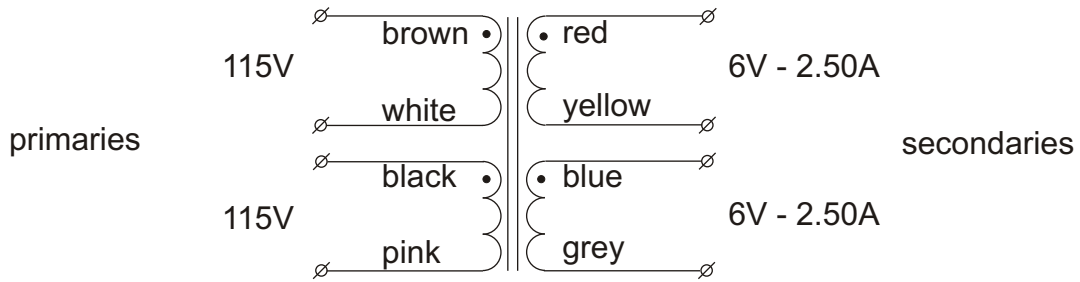


### Toroidal transformer type 17010



Diameter 70mm  
 Height 32mm  
 Weight 0.44kg  
 Height and weight are measured without mounting materials  
 All leads are solid and approx 200mm long

Supplied mounting materials:  
 1 metal washer Ø50mm  
 2 neoprene washers Ø50mm  
 1 bolt M5x40mm with nut

With KEMA KEUR, ENEC, CE and UL/CSA approvals  
 KEMA certificate 96 2307, UL filenumber E320377.

Time lag fuses to be used.  
 For 230V use: primary: 0.16A, 5x20mm, IEC127, high I<sup>2</sup>t value  
 secondary: none  
 For 115V use: primary: 0.315A, 5x20mm, IEC127, high I<sup>2</sup>t value  
 secondary: none

| Type number | primary | secondaries voltage | current |
|-------------|---------|---------------------|---------|
| 17010       | 2x115V  | 2x 6V               | 2.50A   |

All voltages are under full ohmic load.  
 Regulation : 17%

|       |             |             |    |
|-------|-------------|-------------|----|
| 30VA  | 115V / 230V | 50Hz / 60Hz |    |
|       | KEMA KEUR   | RoHS        |    |
| UL US | CCA         | CB          | CE |

|  |  |    |          |  |
|--|--|----|----------|--|
|  | Industrieweg 14<br>NL-7161BX NEEDE<br>The Netherlands<br><br>P O - B o x 27<br>NL-7160AA NEEDE<br>The Netherlands<br>Tel.+31 (0)545 283456<br>Fax+31 (0)545 283457<br><br>info@amplimo.nl<br>http://www.amplimo.nl | HB | Oct 2010 | <h1>17010</h1> <p>toroidal transformer<br/>                 range 30VA<br/>                 for 115V or 230V operation</p> |
|  | © Copyright Amplimo BV   |    |          |  |